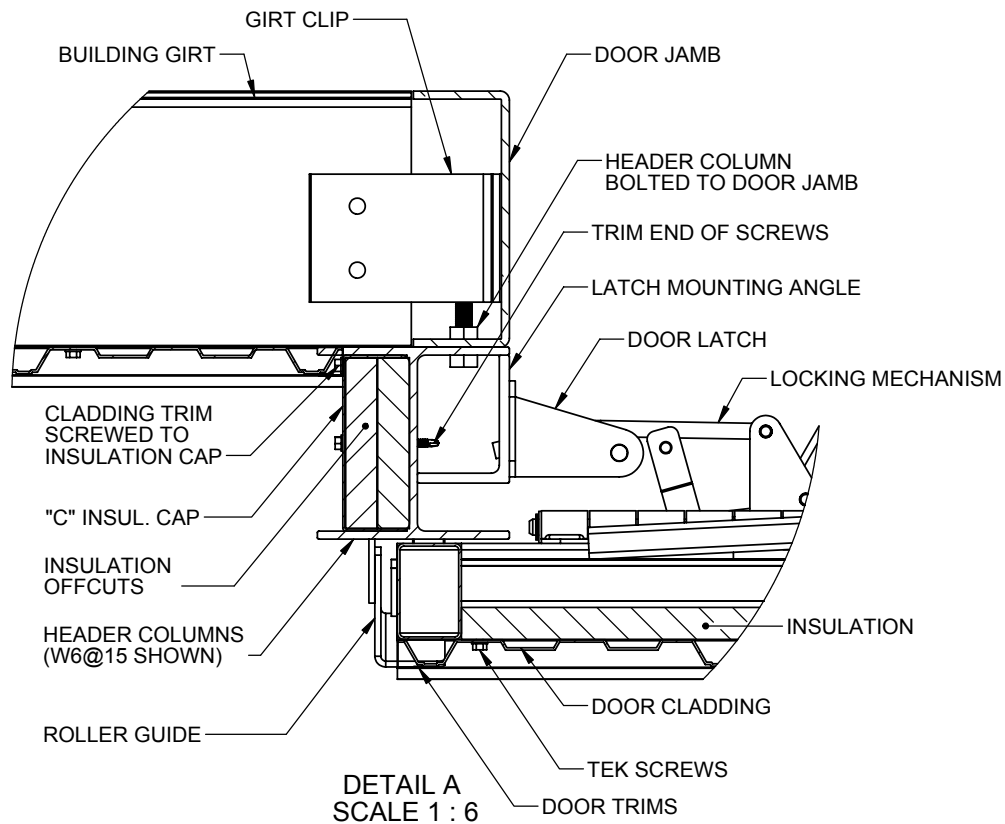
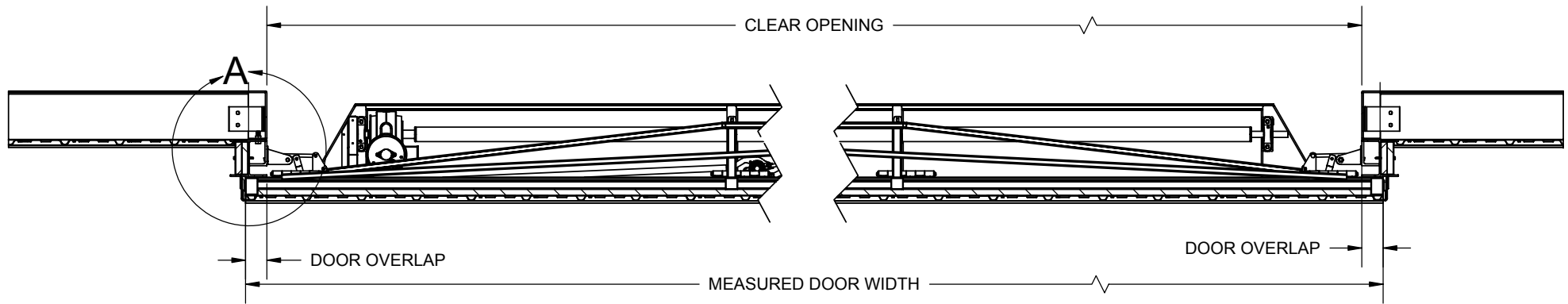


DETAIL A
SCALE 1 : 6



TITLE: CONNECTION DETAIL
STEEL CONSTRUCTION
WIND COLUMN 'I' BEAM

PROPRIETARY AND CONFIDENTIAL		DWG. NO.:	
THE INFORMATION CONTAINED IN THIS DRAWING IS THE SOLE PROPERTY OF DIAMOND DOORS. ANY REPRODUCTION IN PART OR AS A WHOLE WITHOUT THE WRITTEN PERMISSION OF DIAMOND DOORS IS PROHIBITED.		-	
DRAWN: J.H.	DATE: APRIL 18, 2011		
SCALE: AS SHOWN	SHEET: 1 OF 1	REV:	-
ALL DIMENSIONS ARE IN INCHES		DO NOT SCALE DRAWING	



TITLE: CONNECTION DETAIL
STEEL CONSTRUCTION
DOOR JAMB 'C' CHANNEL

PROPRIETARY AND CONFIDENTIAL		DWG. NO.:	
THE INFORMATION CONTAINED IN THIS DRAWING IS THE SOLE PROPERTY OF DIAMOND DOORS. ANY REPRODUCTION IN PART OR AS A WHOLE WITHOUT THE WRITTEN PERMISSION OF DIAMOND DOORS IS PROHIBITED.		-	
DRAWN: J.H.	DATE: MAY 5, 2011		
SCALE: AS SHOWN	SHEET: 1 OF 1	REV:	-
ALL DIMENSIONS ARE IN INCHES		DO NOT SCALE DRAWING	