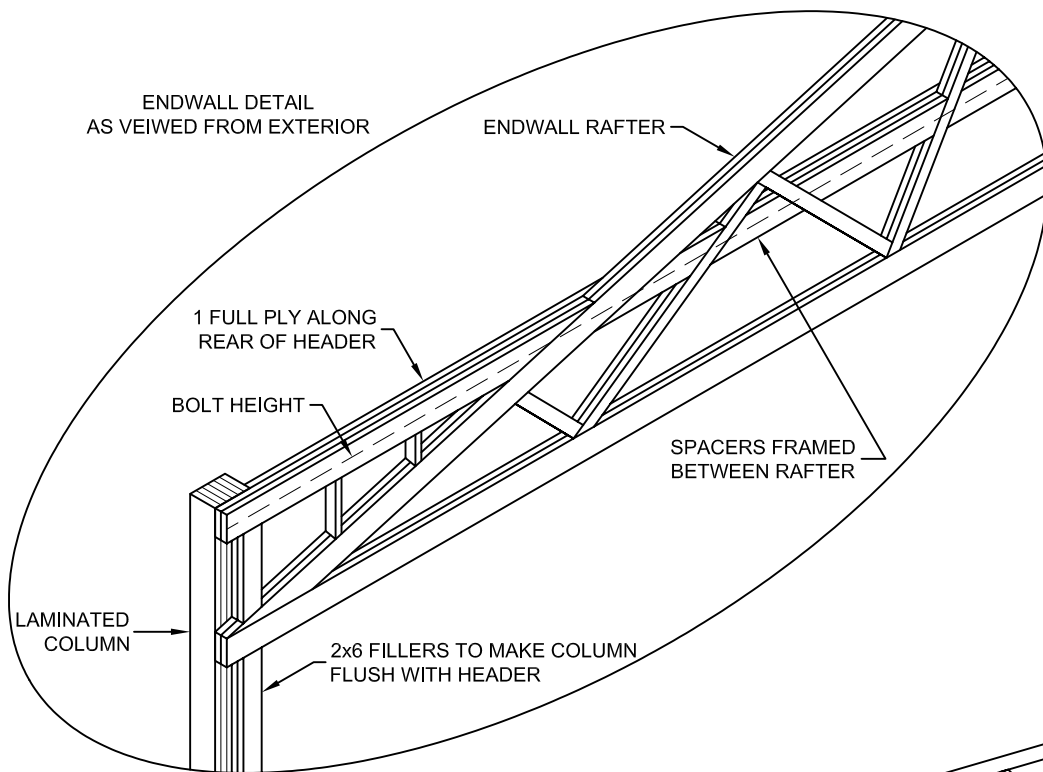


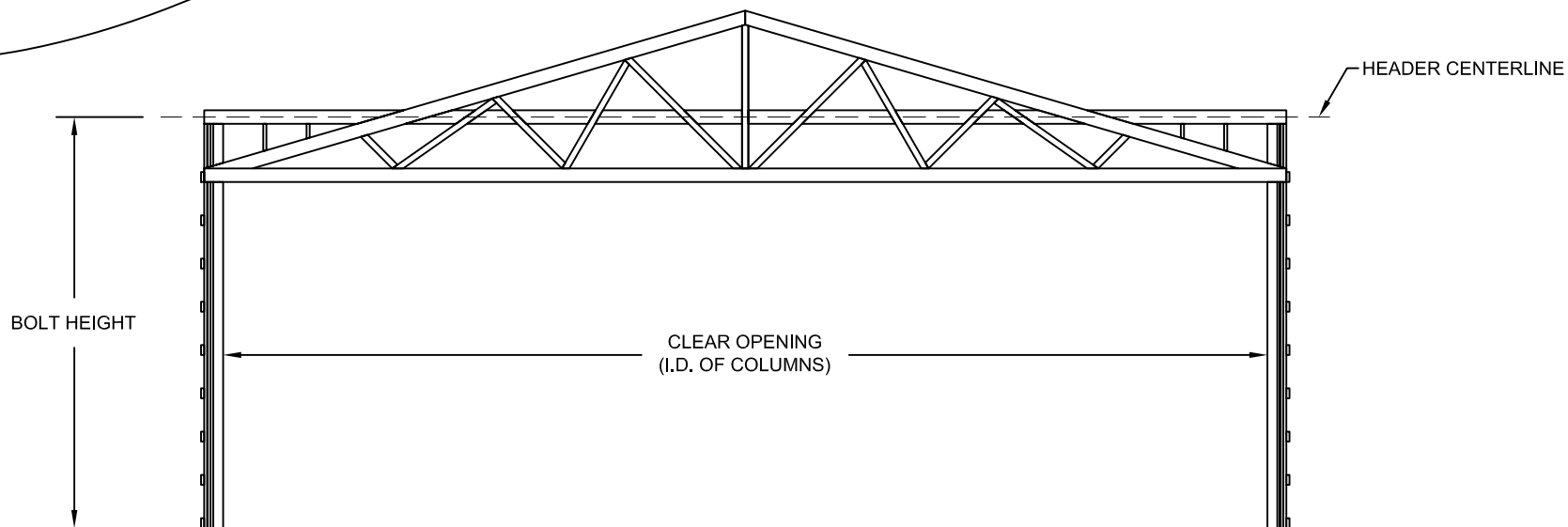
ENDWALL DETAIL  
AS VIEWED FROM EXTERIOR



NOTES:

COLUMN AND HEADER SIZING TO BE SPECIFIED BY BUILDING SUPPLIER.

MOUNTING SURFACE FOR BI-FOLD DOOR MUST BE FLUSH (HEADER AND COLUMN FACE). CENTER OF HEADER TO BE FRAMED IN AT SPECIFIED BOLT HEIGHT OF BI-FOLD DOOR.



|  |                                    |                      |        |
|--|------------------------------------|----------------------|--------|
| PROPRIETARY AND CONFIDENTIAL<br>THE INFORMATION CONTAINED IN THIS DRAWING IS THE SOLE PROPERTY OF DIAMOND DOORS. ANY REPRODUCTION IN PART OR AS A WHOLE WITHOUT THE WRITTEN PERMISSION OF DIAMOND DOORS IS PROHIBITED.<br>ALL DIMENSIONS ARE IN INCHES | TITLE: <b>EXTEND PAST ROOFLINE</b> |                      |        |
|  | DRAWN: T.S.                        | DATE: AUG 29/08      |        |
|  | SCALE: NTS                         | DO NOT SCALE DRAWING |        |
|  | DWG. NO.: -                        | SHEET: 1 OF 1        | REV: B |

