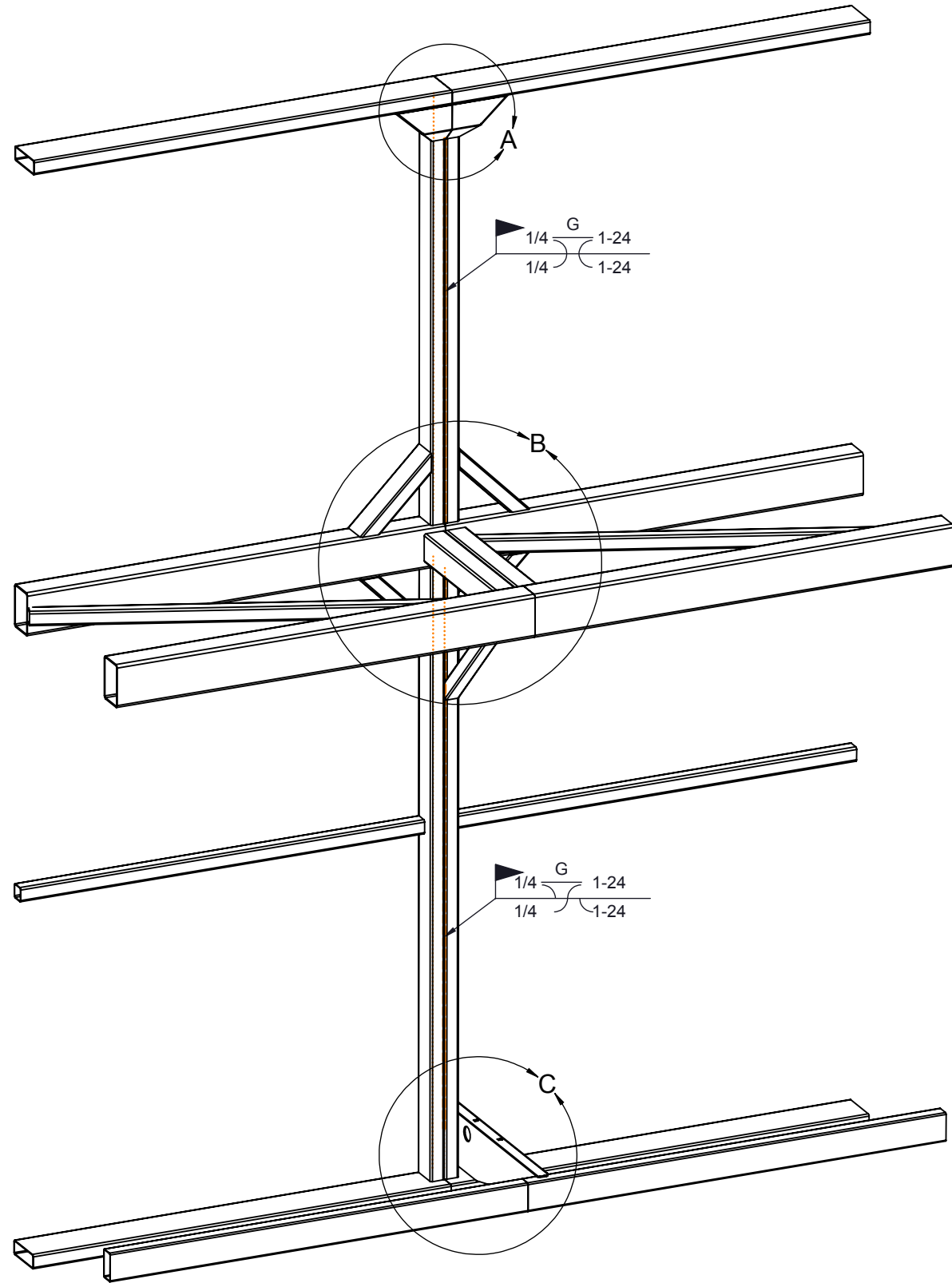


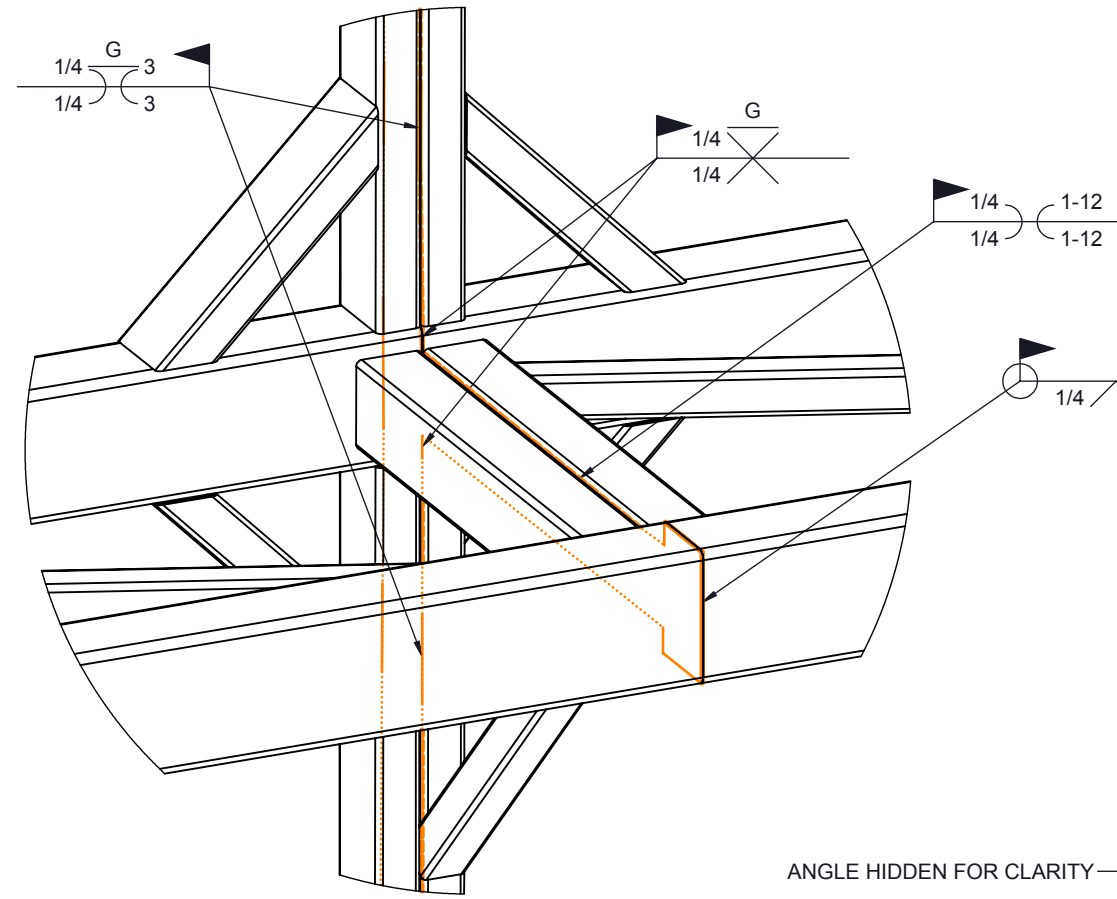
# VERTICAL SPLICE CONNECTIONS - WELD DETAIL

(TOP SECTION NOT SHOWN. ALL WELDS ON TOP SECTION ARE TYPICAL TO BOTTOM SECTION)

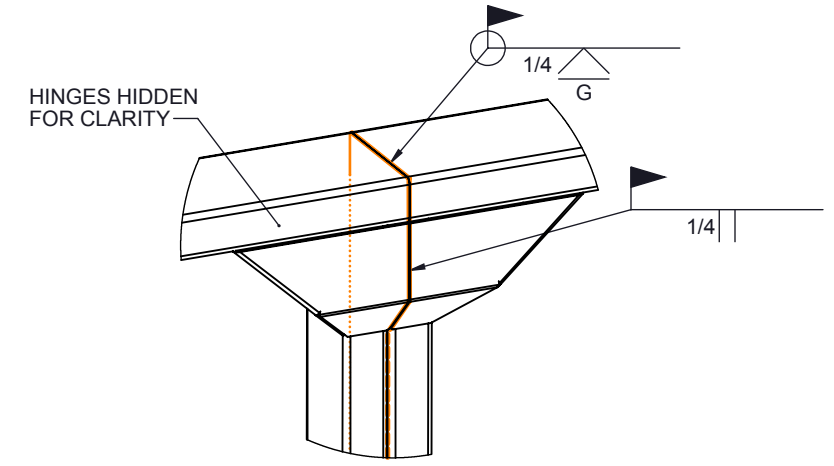
- CONTINUOUS WELD (VISIBLE)
- CONTINUOUS WELD (HIDDEN)
- STITCH WELD (VISIBLE)
- STITCH WELD (HIDDEN)



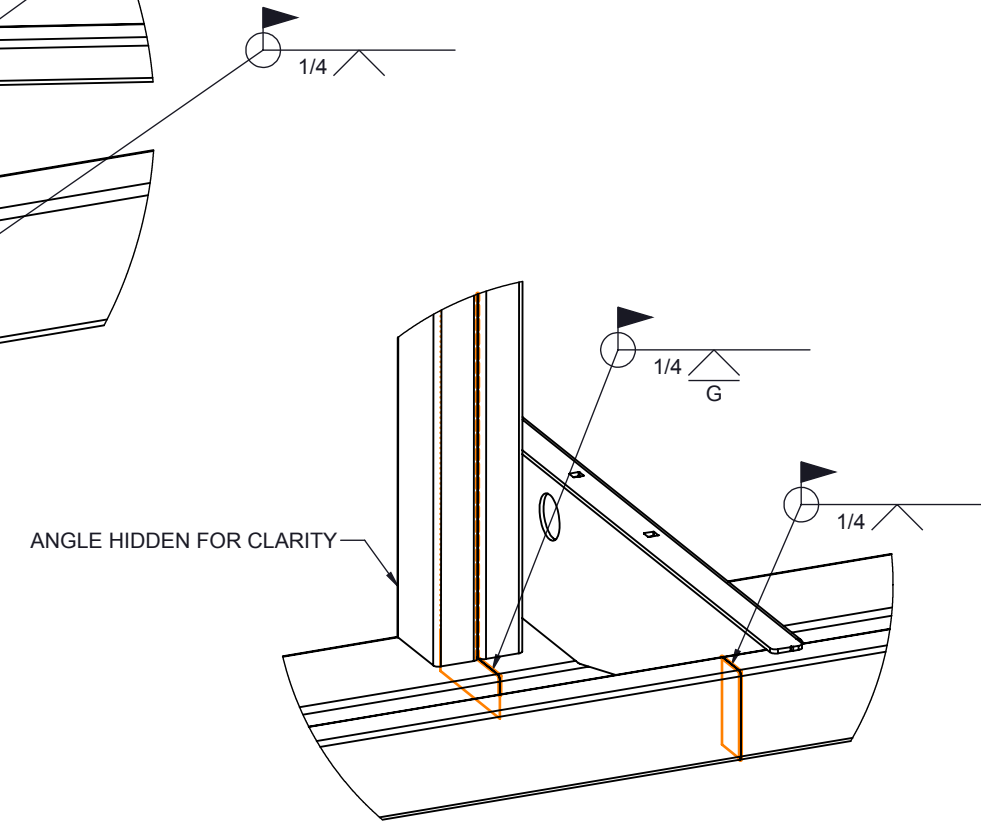
**INSIDE VIEW**



**DETAIL B  
SCALE 1 : 8**



**DETAIL A  
SCALE 1 : 8**



**DETAIL C  
SCALE 1 : 8**



TITLE:  
-

PROPRIETARY AND CONFIDENTIAL THE INFORMATION CONTAINED IN THIS DRAWING IS THE SOLE PROPERTY OF DIAMOND DOORS. ANY REPRODUCTION IN PART OR AS A WHOLE WITHOUT THE WRITTEN PERMISSION OF DIAMOND DOORS IS PROHIBITED.		DWG. NO.: <b>Vertical Splice Assembly</b>	
DRAWN:	-	DATE:	-
SCALE:	1:20	SHEET:	REV:
ALL DIMENSIONS ARE IN INCHES DO NOT SCALE DRAWING		1 OF 1 -	